

# POWERFLEX®

PART NUMBER  
**PFF5-2005**

DESCRIPTION  
**Tie Bar To Chassis Front Bush**

## INSTALLATION GUIDE

### Product description:

This part replaces OEM part numbers 31131108373, 31131108371.

### Contents (parts per pack):

- 2 x A bushes
- 2 x B bushes
- 2 x stainless steel sleeves
- 1 x grease



*Please read the complete fitting instructions and check package components before fitment. These fitting instructions are to be used as a guide and in conjunction with workshop manual.*

*It is recommended that:*

- all work to be carried out by a licensed technician;
  - all safety precautions adhered to;
  - wheel alignment to be checked and adjusted as required after any suspension work.
- All fasteners must be tensioned to manufacturer's torque settings.*

### Fitting Instructions:

1. Remove the bush from the Chassis and the Tie Bar.
2. Clean any dirt/rust from the bore of the chassis bracket.
3. Insert the new 'A' bush into the bore from the front of the car and insert 'B' bush from the rear of the car inside the chassis bracket. Fig A.
4. Apply some of the supplied grease to the bore of both bushes and insert the sleeve into the bush. Fig B.
5. Re-use the original washers and re-fit the Tie bar to the Chassis. Tension all hardware to manufacturers recommended torque settings.

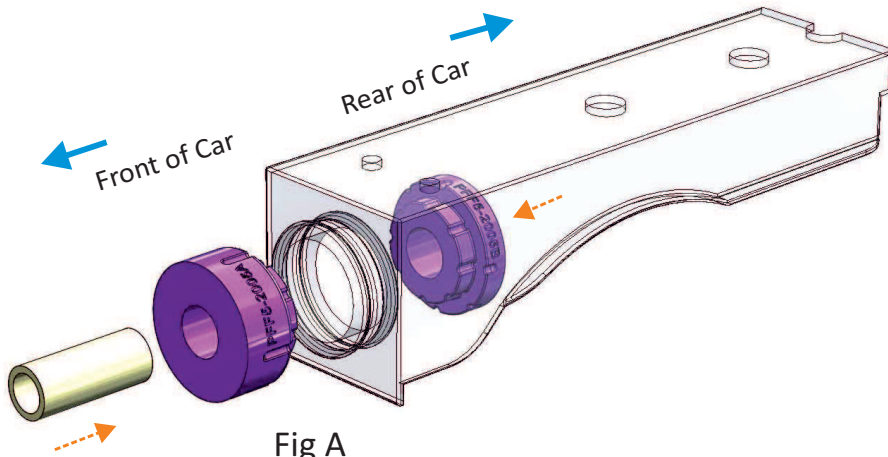


Fig A

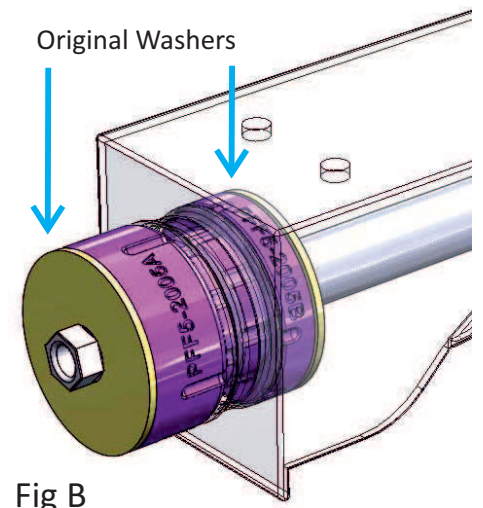


Fig B